

Meraki

TABLE

Generated: 15/06/2026



The table Meraki perfectly blends aesthetics, functionality and technical innovation. The fiberglass legs (three or four, depending on the size of the table) join the marble top completing its shape. Designed to adapt to different space needs, Meraki is also available in the rectangular version suitable to many ambiances and styles. The finish of the fiberglass surfaces, obtained through a refined artistic technique performed by hand, adds personality to each table, making every piece unique and unrepeatable.

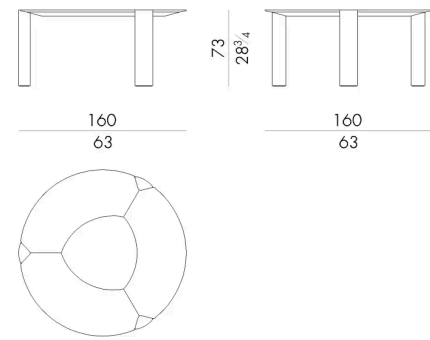
HESSSENTIA

Dimensions

MERAKI . 5160

Table

160 W x 160 D x 73 H cm



MERAKI . 5200

Table

203 W x 203 D x 73 H cm

