

Meraki

TABLE

Generated: 06/07/2026



The table Meraki perfectly blends aesthetics, functionality and technical innovation. The four fibreglass legs join the marble top completing its shape. Designed to adapt to different space needs, Meraki is available also in a round version suitable to many ambiances and styles. The finish of the fibreglass surfaces, obtained through a refined artistic technique performed by hand, adds personality to each table, making every piece unique and unrepeatable.

HESSENTIA can customize this piece to suit your project needs. Some limitations apply.

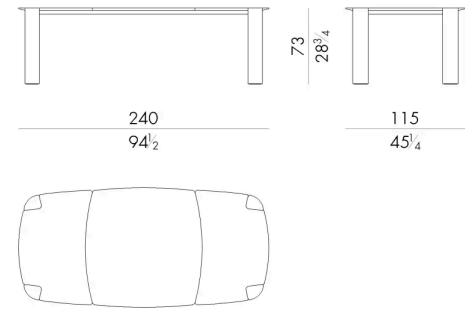
HESSENTIA

Dimensions

MERAKI . 8 2 4 0

Table

240 W x 115 D x 73 H cm



MERAKI . 8 3 0 0

Table

300 W x 130 D x 73 H cm

