



Dune is a modular sofa with rounded, enveloping shapes, where sinuous proportions and curved lines create a sculptural presence that exudes warmth and comfort.

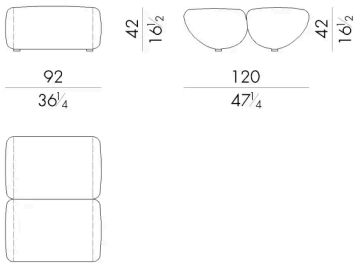
The modules allow for endless configurations, creating fluid spaces and a relaxed atmosphere, while adapting naturally to any setting.

Dimensions

DUNE . 01

Modular element

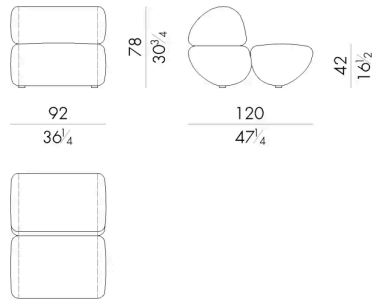
92 W x 120 D x 42 H cm



DUNE . 11

Modular element

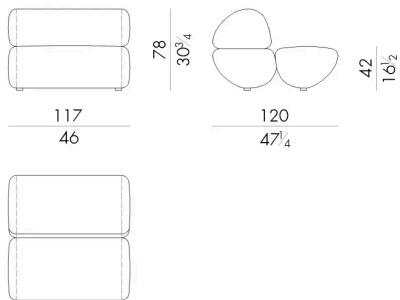
92 W x 120 D x 78 H cm



DUNE . 12

Modular element

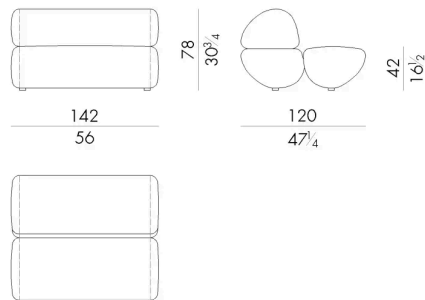
117 W x 120 D x 78 H cm



DUNE . 13

Modular element

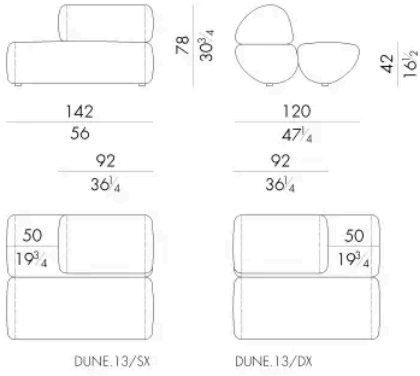
142 W x 120 D x 78 H cm



DUNE.13/SX - DUNE.13/DX

Modular element

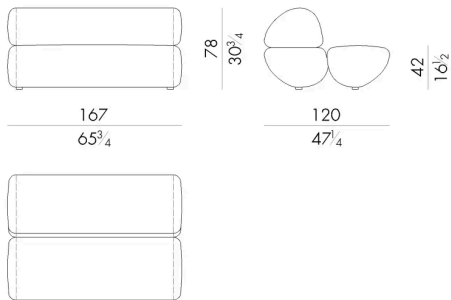
142 W x 120 D x 78 H cm



DUNE.14

Modular element

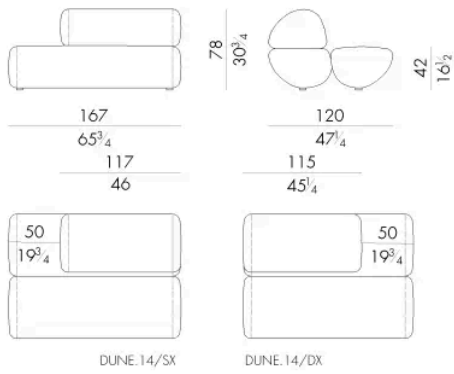
167 W x 120 D x 78 H cm



DUNE.14/SX - DUNE.14/DX

Modular element

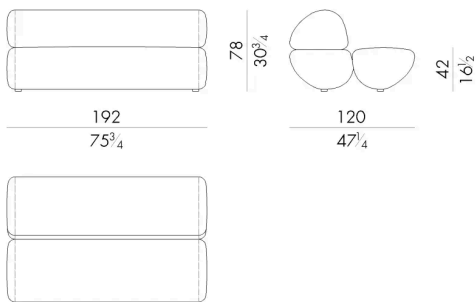
167Wx120 Dx78 H cm



DUNE.15

Modular element

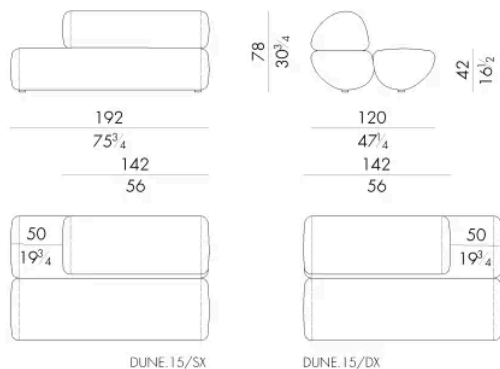
192Wx120 Dx78 H cm



DUNE.15/SX - DUNE.15/DX

Modular element

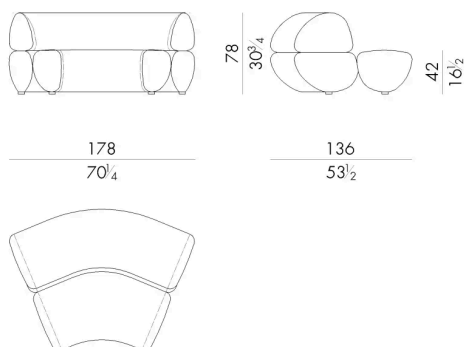
192 W x 120 D x 78 H cm



DUNE.21

Modular element

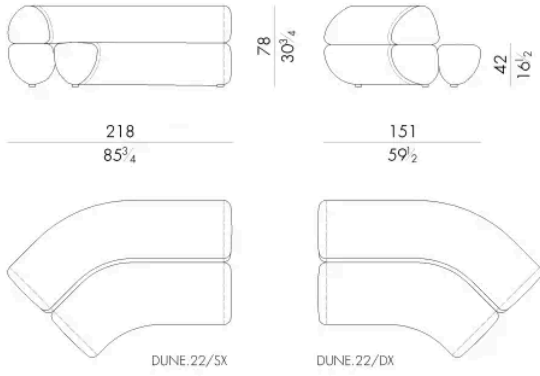
178 W x 136 D x 78 H cm



DUNE.22/SX - DUNE.22/DX

Modular element

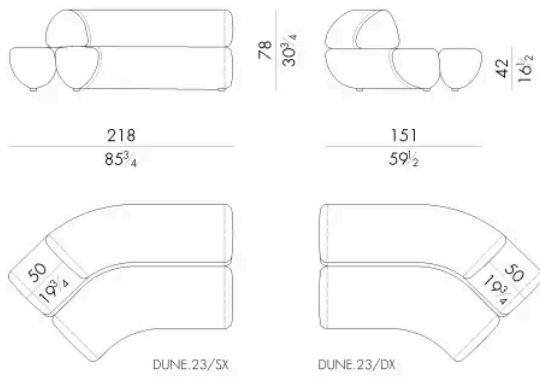
218 Wx151Dx78 Hcm



DUNE.23/SX - DUNE.23/DX

Modular element

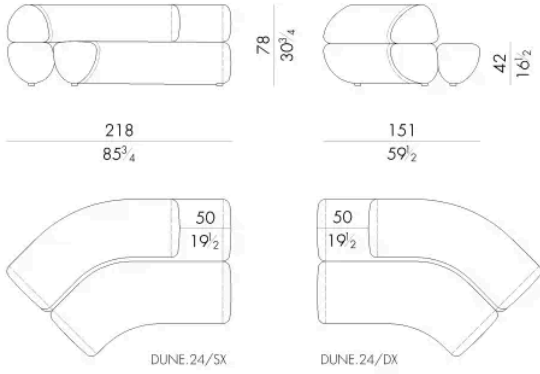
218 Wx151Dx78 Hcm



DUNE.24/SX - DUNE.24/DX

Modular element

218 Wx151 Dx78 H cm



DUNE.31

Modular element

151 Wx151 Dx78 H cm

