



Dexter is a round table that transforms colour into matter through a three-dimensional approach that enhances its dynamism. Its creation emerges from ongoing research into artisanal techniques: the table tops are crafted through a complex resin casting process.

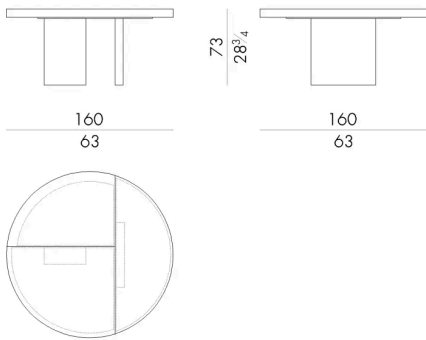
The result is a sculptural and geometric object with a sophisticated character, capable of creating plays of light and refractions that shift depending on the perspective.

Dimensions

DEXTER . 5160

Table

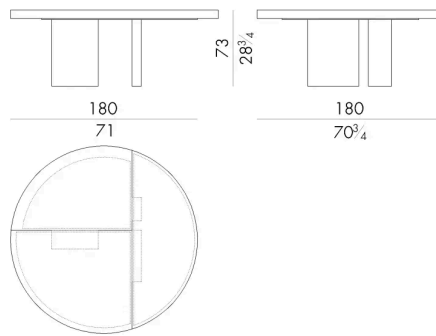
DIAM. 160 x 73 H cm



DEXTER . 5180

Table

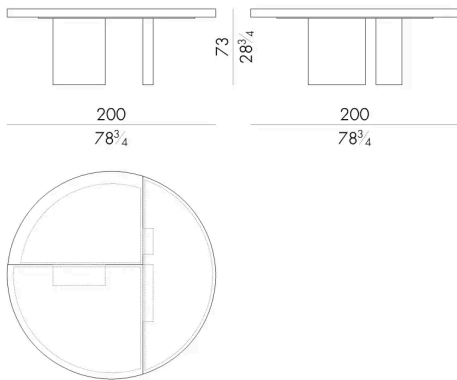
DIAM. 180 x 73 H cm



DEXTER . 5200

Table

DIAM. 200 x 73 H cm



DEXTER . 5200 / B

Table

DIAM. 200 x 73 H cm

