



The shapes of dining table Spinnaker take inspiration from elegance and lightness of the sails of the boats that are unfurled to the wind during the sailing. The marble top is available in one unique piece or it can be cut into three curved parts following the structural base with two arches that recall the typical geometry of architecture of the Thirties. The melted bronze parts of the base are realized by casting liquid metal into a mold made of special sand.

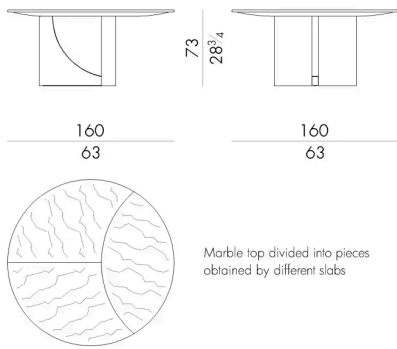
HESENTIA can customize this piece to suit your project needs. Some limitations apply.

Dimensions

SPINNAKER . 5160

Table

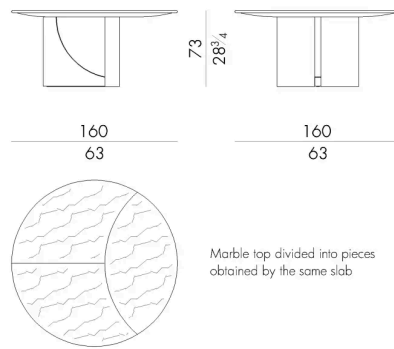
DIAM. 160x73 H cm



SPINNAKER . 5160 / B

Table

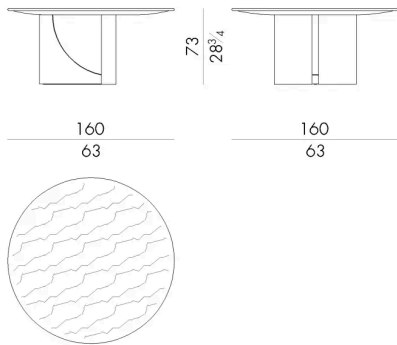
DIAM. 160x73 H cm



SPINNAKER . 5160 / U

Table

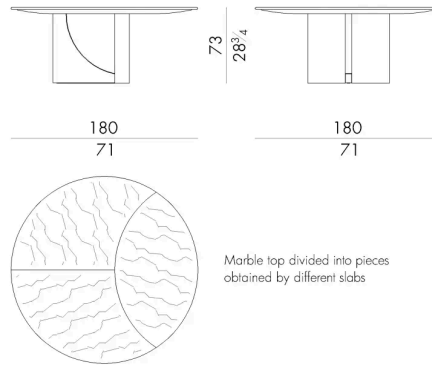
DIAM. 160x73 H cm



SPINNAKER . 5180

Table

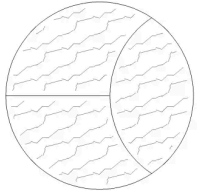
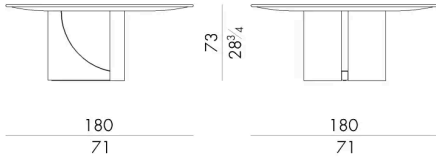
DIAM. 180x73 H cm



SPINNAKER . 5180 / B

Table

DIAM. 180x73 H cm

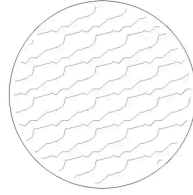
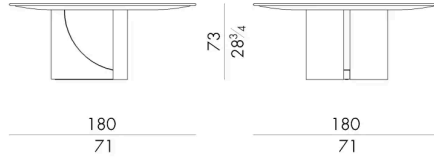


Marble top divided into pieces obtained by the same slab

SPINNAKER . 5180 / U

Table

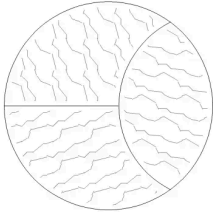
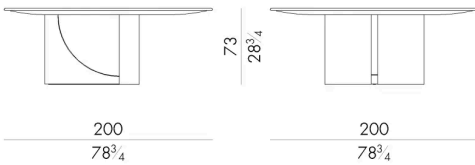
DIAM. 180x73 H cm



SPINNAKER . 5200

Table

DIAM. 200x73 H cm



Marble top divided into pieces obtained by different slabs