



Characterized by rounded shapes both on the backrest and on the seat, Kiro sofa is available with and without armrests.

The base is made of open-pore painted solid ash wood or of veneer of ziricote wood. Kiro is characterized by a padded structure with decorative partitions that makes it a bold sofa, suitable to furnish the centre of a room or to be placed against a wall.

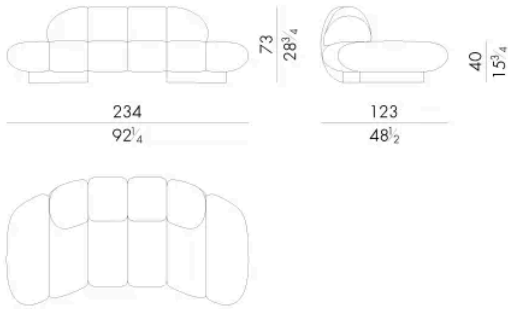
Its vigorous shape makes it the main character of the ambience in which it is placed, adapting very well to the furniture that surround it.

Dimensions

KIRO . 2 3 0 0

Sofa

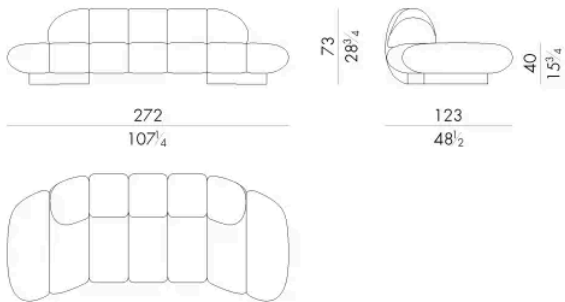
234 W x 123 D x 73 H cm



KIRO . 2 4 0 0

Sofa

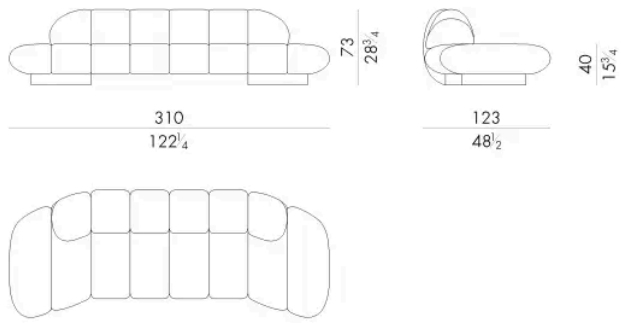
272 W x 123 D x 73 H cm



KIRO . 2 5 0 0

Sofa

310 W x 123 D x 73 H cm



KIRO . 2 6 0 0

Sofa

348 W x 123 D x 73 H cm

