



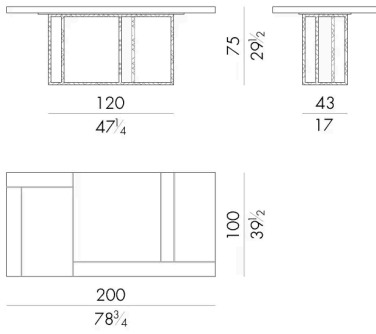
The tables of Lineup collection are available in round and rectangular shape, both in several different sizes. The skillful manual method of metal engraving is inspired by the working techniques of Italian premium class jewelry. The essential and rigorous metal structure creates a harmonious contrast with the top, realized with a decorative finish composed of resins, coloured pigments and natural elements. The extraordinary decorative strength of this table with geometric lines perfectly fits a contemporary dining area.

# Dimensions

## LINEUP. 8200

Table

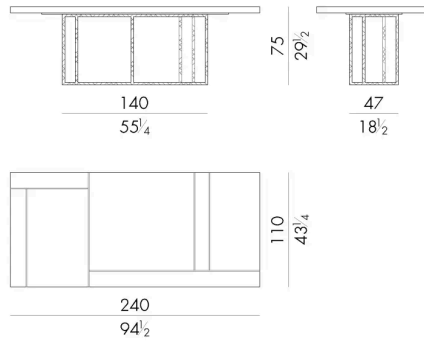
200 W x 100 D x 75 H cm



## LINEUP. 8240

Table

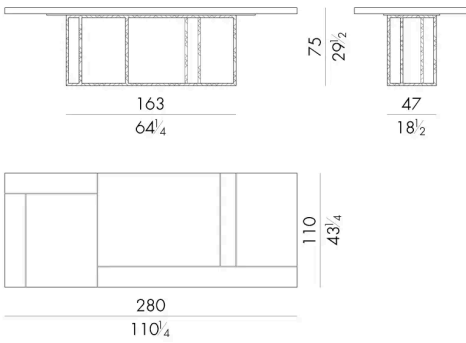
240 W x 110 D x 75 H cm



## LINEUP. 8280

Table

280 W x 110 D x 75 H cm



LINEUP. 8350

Table

350 W x 110 D x 75 H cm

