



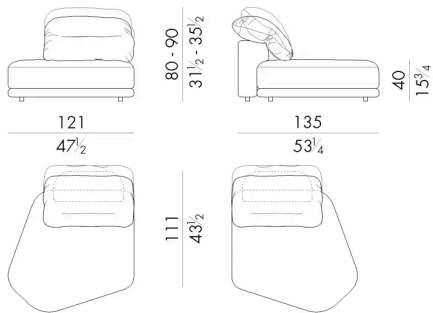
The Cliff modular sofa is designed to adapt to all comfort needs. The core of this sofa is the backrest made up of a cushion whose inclination is easily adjustable, allowing you to find the most comfortable position in a simple and intuitive way. The modules can be combined to create unique shapes, ranging from angular to semi-circular up to more unusual forms. Thanks to its flexibility the Cliff sofa can be adapted to its surroundings, creating sinuous configurations even in more geometric ambiances. Available in leather and fabric, covers are fully removable. The modular system includes trapezoidal and rectangular poufs, available with marble tops or fully upholstered, to complete and enrich the relaxation experience.

Dimensions

CLIFF.01/SX - CLIFF.01/DX

Modular element

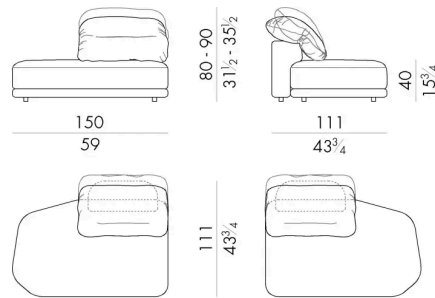
121 W x 135 D x 80 H cm



CLIFF.02/SX - CLIFF.02/DX

Modular element

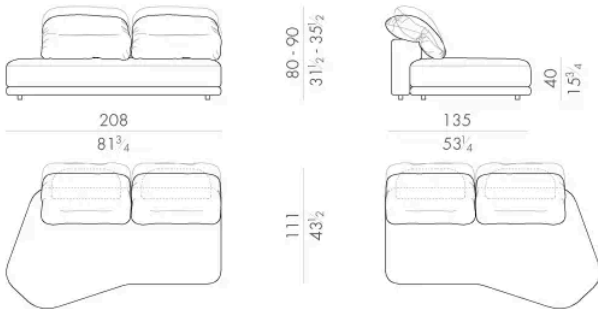
150 W x 111 D x 80 H cm



CLIFF.04/SX - CLIFF.04/DX

Modular element

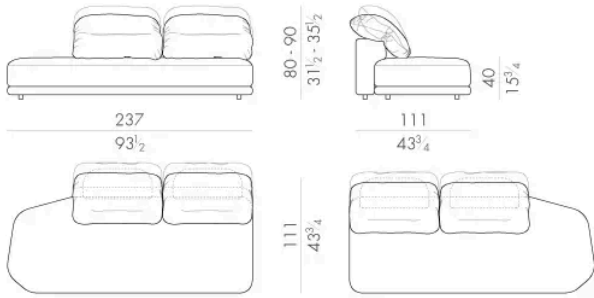
208 W x 135 D x 80 H cm



CLIFF.06/SX - CLIFF.06/DX

Modular element

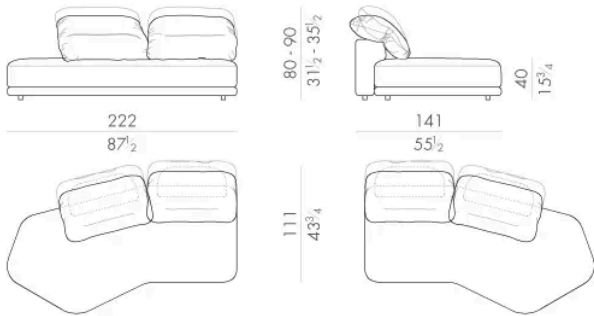
237Wx111Dx80Hcm



CLIFF.03/SX - CLIFF.03/DX

Modular element

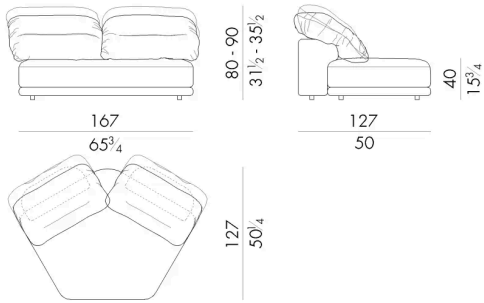
222Wx141Dx80Hcm



CLIFF . 21

Modular element

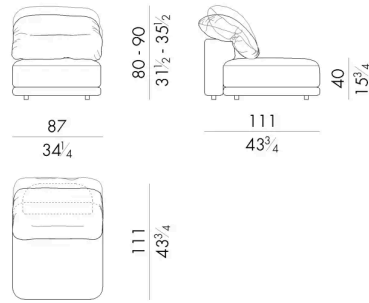
167Wx127Dx80Hcm



CLIFF . 11

Modular element

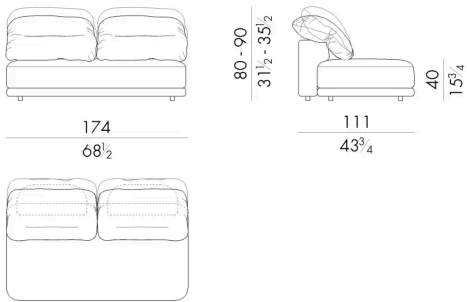
87Wx111Dx80Hcm



CLIFF . 12

Modular element

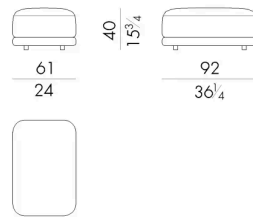
174Wx111Dx80Hcm



CLIFF . 13

Modular element

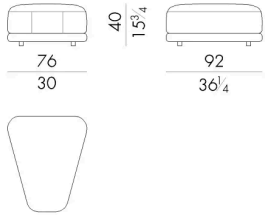
61Wx92Dx40Hcm



CLIFF . 14

Modular element

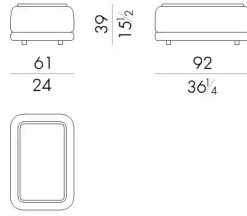
76 W x 92 D x 40 H cm



CLIFF . 13 / TRAY

Modular element

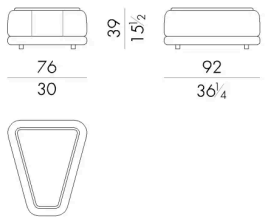
61 W x 92 D x 39 H cm



CLIFF . 14 / TRAY

Modular element

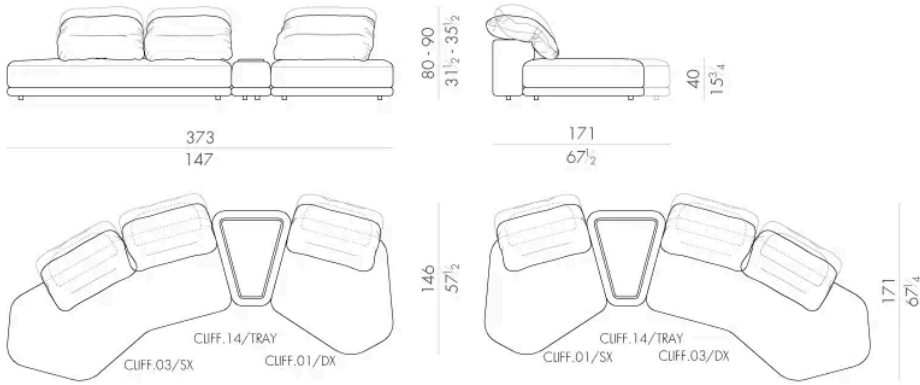
76 W x 92 D x 39 H cm



CLIFF.2300/SX - CLIFF.2300/DX

Modular sofa

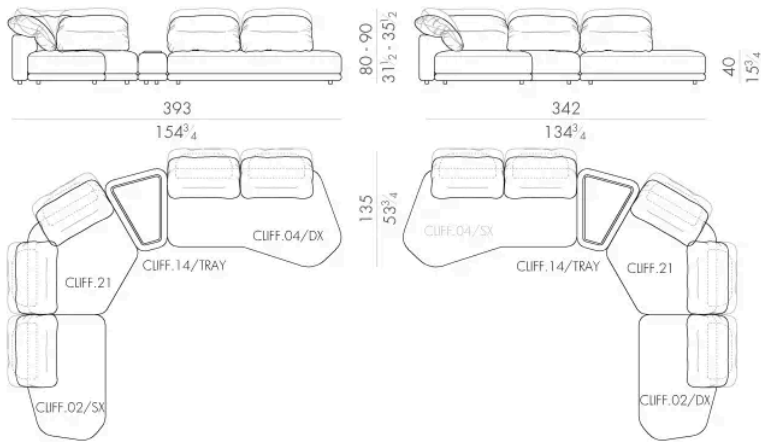
373Wx171Dx80H cm



CLIFF.2800/SX - CLIFF.2800/DX

Modular sofa

393Wx342Dx80H cm

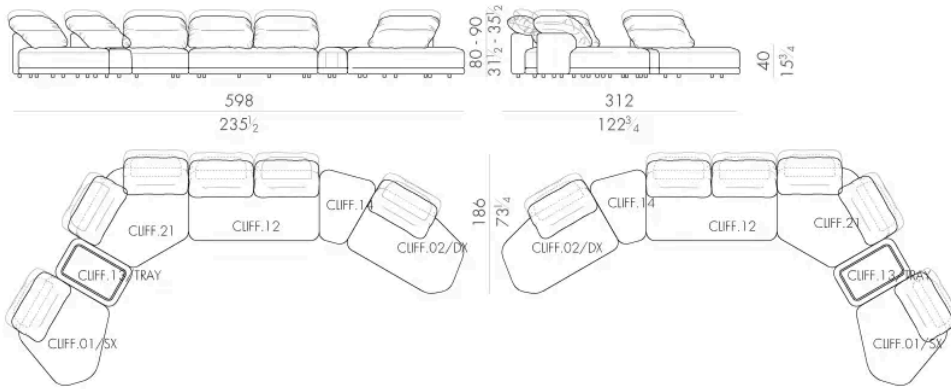


CLIFF.2900/SX - CLIFF.2900/DX

Generated: 06/07/2026

Modular sofa

598 W x 312 D x 80 H cm



HESSENTIA