

Spinnaker

TABLE

Generated: 05/07/2026



The shapes of dining table Spinnaker take inspiration from elegance and lightness of the sails of the boats that are unfurled to the wind during the sailing. The marble top is available in one unique piece or it can be cut into four curved parts following the structural base with two arches that recall the typical geometry of architecture of the Thirties. The melted bronze parts of the base are realized by casting liquid metal into a mold made of special sand.

HESENTIA can customize this piece to suit your project needs. Some limitations apply.

HESENTIA

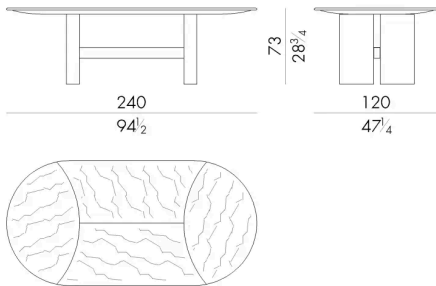
Dimensions

Generated: 05/07/2026

SPINNAKER . 8 2 4 0

Table

240 W x 120 D x 73 H cm

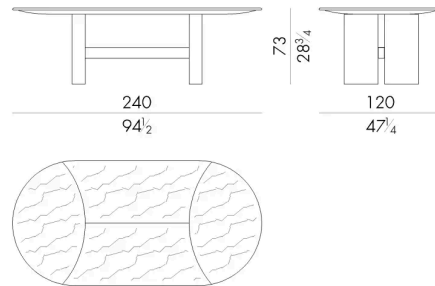


Marble top divided into pieces obtained by different slabs

SPINNAKER . 8 2 4 0 / B

Table

240 W x 120 D x 73 H cm

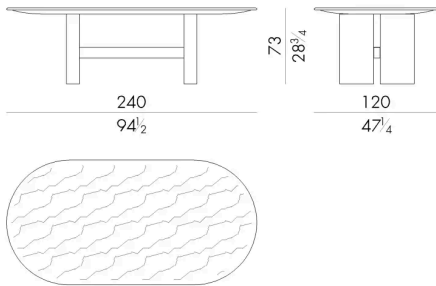


Marble top divided into pieces obtained by the same slab

SPINNAKER . 8 2 4 0 / U

Table

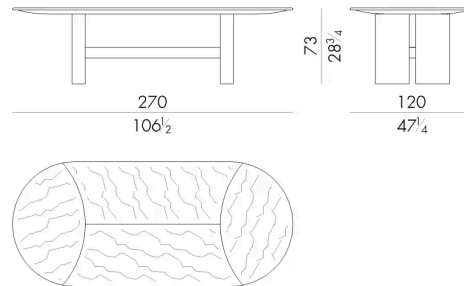
240 W x 120 D x 73 H cm



SPINNAKER . 8 2 7 0

Table

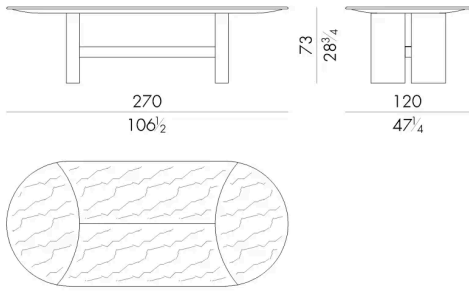
270 W x 120 D x 73 H cm



Marble top divided into pieces obtained by different slabs

SPINNAKER. 8270/B
Table

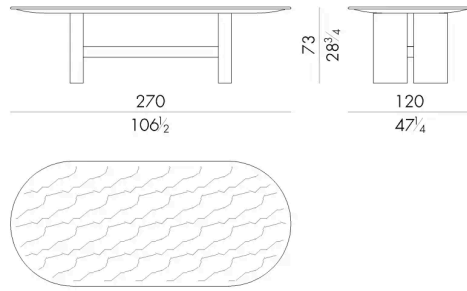
270 W x 120 D x 73 H cm



Marble top divided into pieces
obtained by the same slab

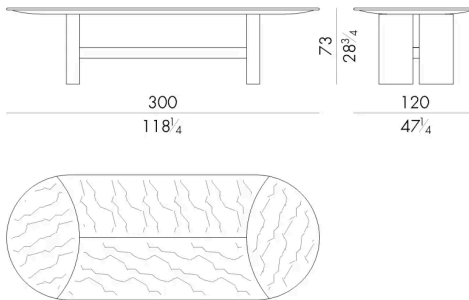
SPINNAKER. 8270/U
Table

270 W x 120 D x 73 H cm



SPINNAKER. 8300
Table

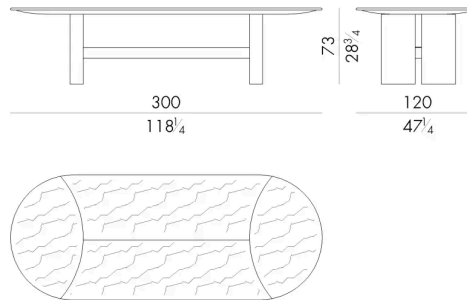
300 W x 120 D x 73 H cm



Marble top divided into pieces
obtained by different slabs

SPINNAKER. 8300/B
Table

300 W x 120 D x 73 H cm



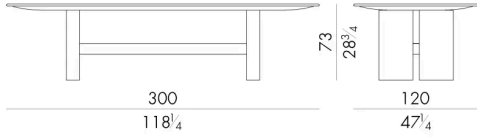
Marble top divided into pieces
obtained by the same slab

SPINNAKER. 8300/U

Generated: 05/07/2026

Table

300 W x 120 D x 73 H cm



HESSENTIA