



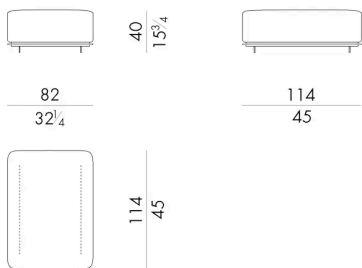
RUBIK沙发由方形金属底座支撑，轻盈典雅。模块化的组件设计，配以简约的装饰细节，水平和垂直的缝合，“cordonetto”刺绣应用于整个结构。RUBIK沙发的精致外观，适合与生活区的所有茶几搭配。模块化的设计可以由多种多样的形式组合在一起，创造出不同的沙发形状，每个元素都可以作为单品使用。RUBIK沙发可以用皮革或织物做软垫。

尺寸

RUBIK.01

Modular element

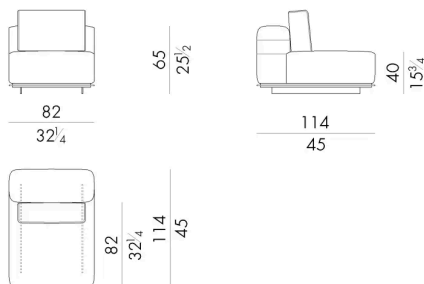
82 W x 114 D x 40 H cm



RUBIK.02

Modular element

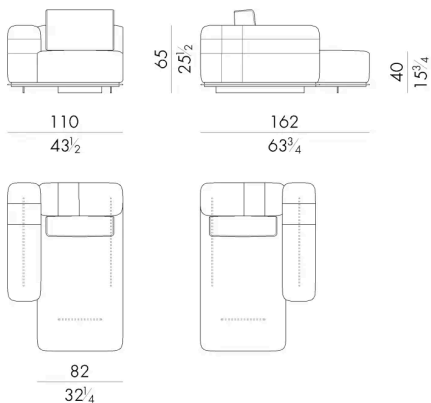
82 W x 114 D x 65 H cm



RUBIK.11/SX - RUBIK.11/DX

Modular element

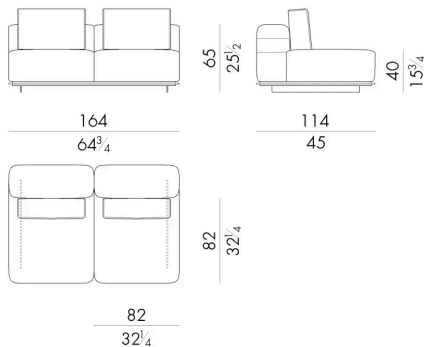
110 W x 162 D x 65 H cm



RUBIK.21

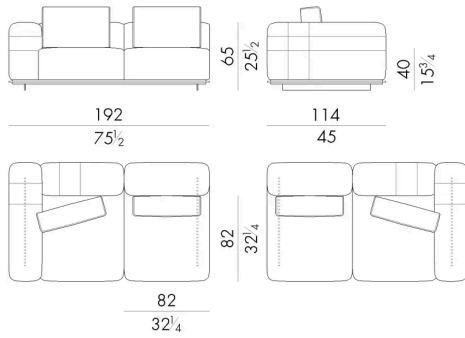
Modular element

164 W x 114 D x 65 H cm



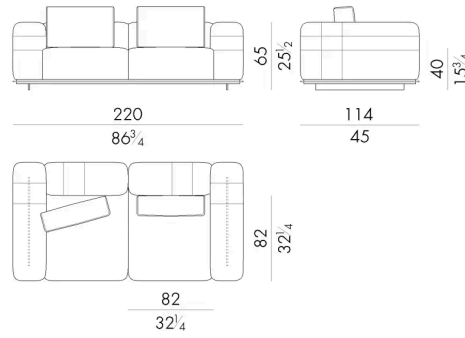
RUBIK.22/SX - RUBIK.22/DX
Modular element

192 W x 114 D x 65 H cm



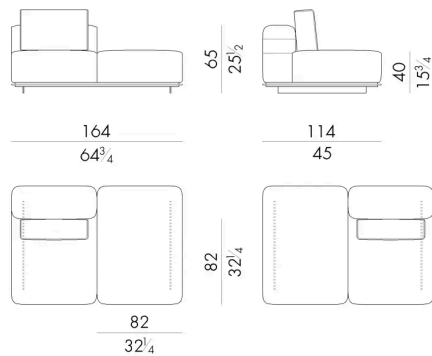
RUBIK.23
Modular element

220 W x 114 D x 65 H cm



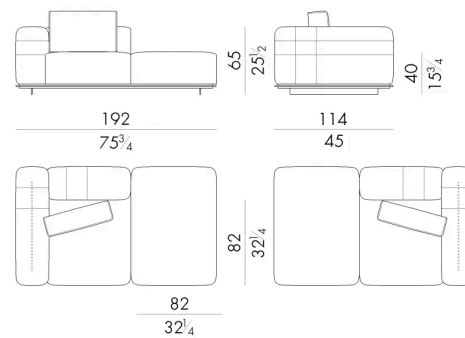
RUBIK.24/SX - RUBIK.24/DX
Modular element

164 W x 114 D x 65 H cm



RUBIK.25/SX - RUBIK.25/DX
Modular element

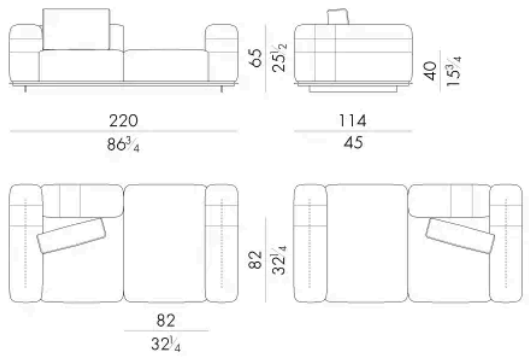
192 W x 114 D x 65 H cm



RUBIK. 26/SX - RUBIK. 26/DX

Modular element

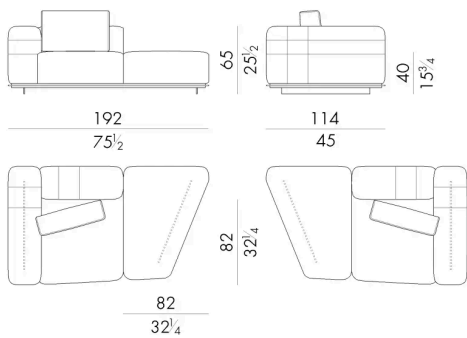
220 W x 114 D x 65 H cm



RUBIK. 27/SX - RUBIK. 27/DX

Modular element

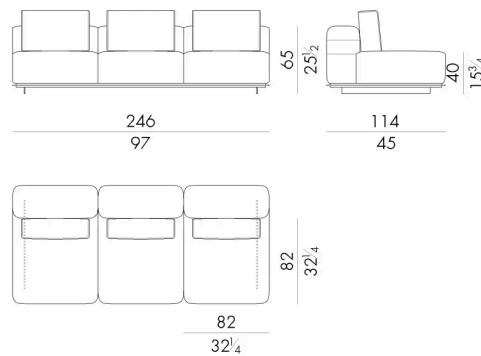
192 W x 114 D x 65 H cm



RUBIK. 31

Modular element

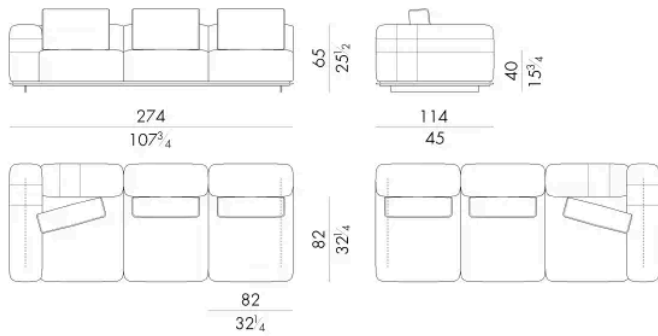
246 W x 114 D x 65 H cm



RUBIK. 32/SX - RUBIK. 32/DX

Modular element

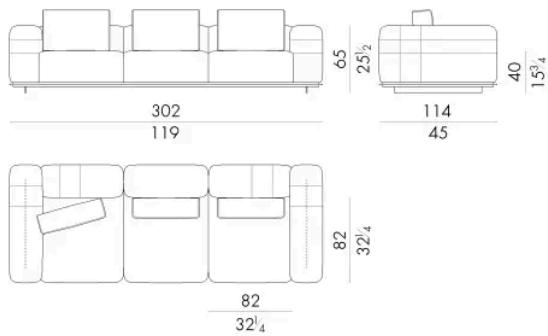
274 W x 114 D x 65 H cm



RUBIK. 33

Modular element

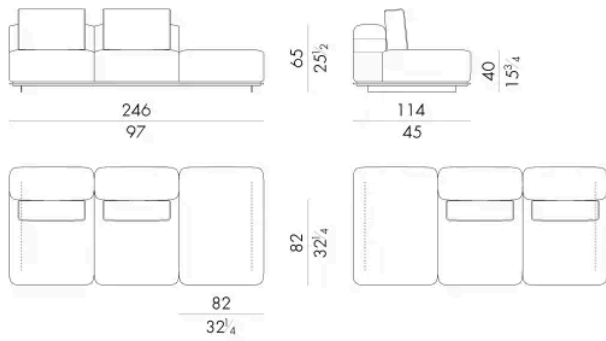
302 W x 114 D x 65 H cm



RUBIK. 34/SX - RUBIK. 34/DX

Modular element

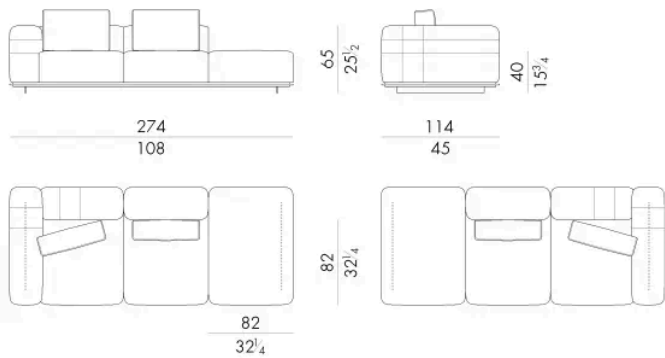
246 W x 114 D x 65 H cm



RUBIK. 35/SX - RUBIK. 35/DX

Modular element

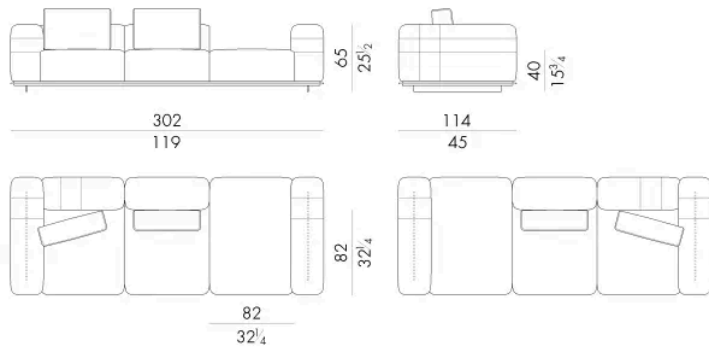
274 W x 114 D x 65 H cm



RUBIK.36/SX - RUBIK.36/DX

Modular element

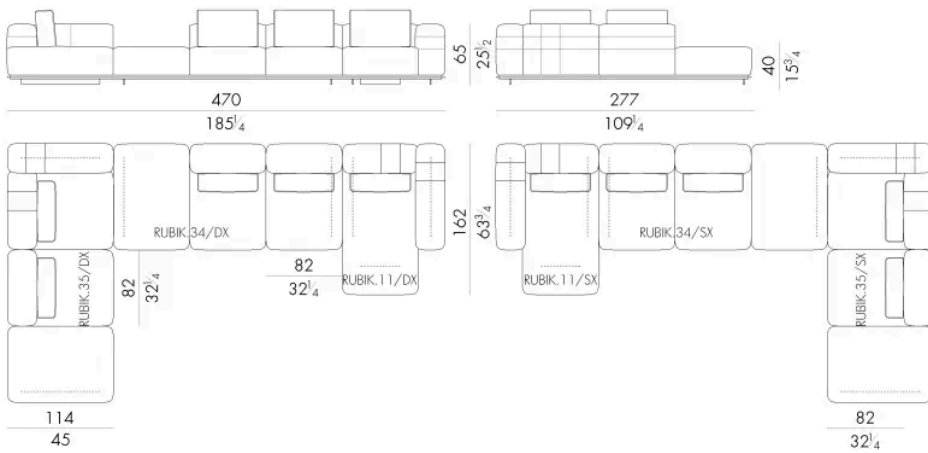
302 W x 114 D x 65 H cm



RUBIK.2800/SX - RUBIK.2800/DX

Modular sofa

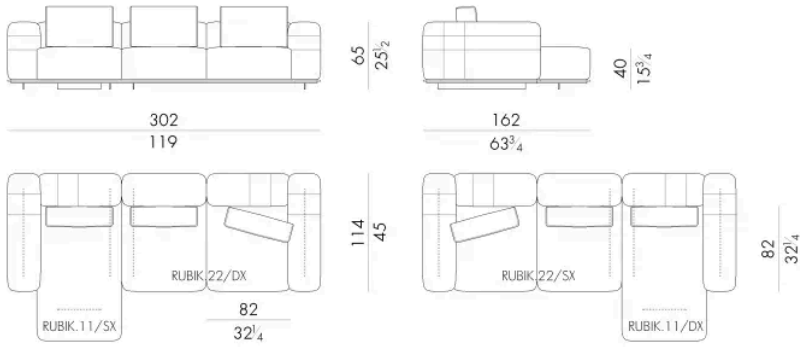
470 W x 277 D x 65 H cm



RUBIK.2500/SX - RUBIK.2500/DX

Modular sofa

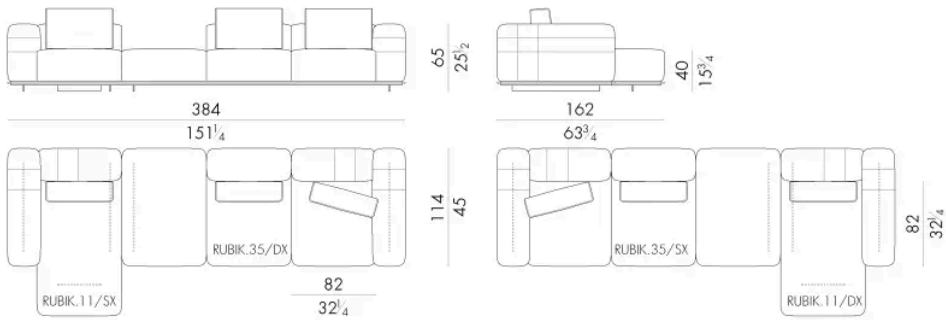
302Wx162Dx65H cm



RUBIK.2600/SX - RUBIK.2600/DX

Modular sofa

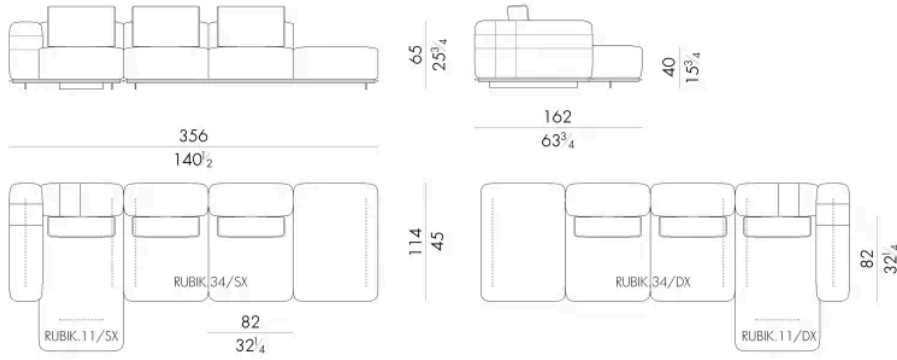
384Wx162Dx65H cm



RUBIK.2650/SX - RUBIK.2650/DX

Modular sofa

356 W x 162 D x 65 H cm



RUBIK.2700/SX - RUBIK.2700/DX

Modular sofa

374 W x 172 D x 65 H cm

